

MCCB Series Epoxy-Coated Solid Electrolytic Tantalum Capacitors, Resin Dipped Type

multicomp PRO

**RoHS
Compliant**



Features

- Lead-Free
- Specially designed of general purpose
- Highly reliable resin dipped type
- Excellent frequency and temperature characteristics
- Non-flammable epoxy resin

Specifications

Item	Performance Characteristics				
Operating Temperature Range	-55°C to +125°C (>85°C with rated voltage derating)				
Rated Working Voltage Range	6.3V DC to 50V DC				
Nominal Capacitance Range	0.1 to 330µF				
Capacitance Tolerance	±20% (±10% is available) (120Hz, +20°C)				
Leakage Current	Not more than 0.01CV [µA] or 0.5µA whichever is greater				
tan δ (120Hz, +20°C)	Working voltage	6.3 to 50V			
	Capacitance	≤1µF	1.5 to 6.8µF	10 to 68µF	≥100µF
	tan δ max	0.04	0.06	0.08	0.1
Characteristics at High and Low Temperature	-55°C	Capacitance change	±12% of initial measured value at +20°C		
	+105°C	Leakage current	≤10% of initial measured value		
		Capacitance change	±12% of initial measured value at +20°C		
Moisture Resistance	Test conditions				
	Relative humidity : 90 to 95% without load Ambient temperature : +40°C Duration : 500 hours Post test requirements at+ 20°C Leakage current : ≤0.012CV or 0.75 [µF], whichever is greater Capacitance change : ±10% of initial measured value tan δ : ≤150% of Initial specified value				
Endurance	Test conditions				
		Conditions	Derating (for 10 to 50V only)	Rating	
	Duration		1,000 hours	1,000 hours	
	Ambient temperature		+105°C	+85°C	
	Applied voltage		Derated working voltage	Rated working voltage	
Source impedance		1Ω/V	1Ω/V		

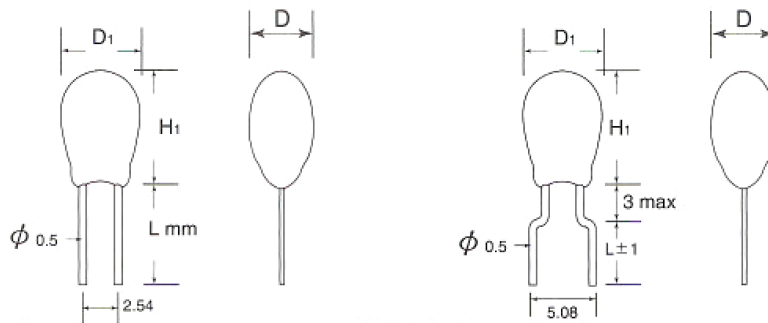
multicomp PRO

MCCB Series Epoxy-Coated Solid Electrolytic Tantalum Capacitors, Resin Dipped Type



Item	Performance Characteristics	
Endurance	Derating voltage +105°C for 10 to 50V working	
	Working voltage [V] DC	10 16 25 35 50
	Derating voltage [V] DC	6.3 10 16 23 33
	Post test requirements at +20°C	
Shelf Life	Leakage current	: ≤ 0.01% CV or 00625[1-' A], whichever is greater
	Capacitance change	: ±10% of initial measured value
	tan δ	: ≤ Initial specified value
	Test conditions	Post test requirements at +20°C
	Duration	: 1,000 hours
Ambient temperature	: +85°C	
Applied voltage	: (none)	
		Same limits for "Endurance".

Tantalum Capacitor Dipped Type Outline Drawings



Case Size	A	B	C	D	E	F
Formats 1/2 H1 max	7	8	9.5	11	13	16.5
D1 max	4.5	5	5.5	6.5	8.5	9.5
Dmax	4.2	4.7	5.5	6.5	8.5	9.5

Dimensions : Millimetres

Wire Length (L)	5.7±1	>12.14
Code	A	B/C



**MCCB Series Epoxy-Coated Solid
Electrolytic Tantalum Capacitors, Resin Dipped Type**



Rated Voltage, Capacitance of Capacitors

VR (V)	6.3	10	16	25	35	50
Code	OJ	1A	1C	1E	1V	1H
Capacitance (IJF)	Case Size					
0.1 (104)					A	A
0.15 (154)					A	A
0.22 (224)					A	A
0.33 (334)					A	A
0.47 (474)					A	A
0.68 (684)					A	A
1 (105)				A	A	B
1.5 (155)			A	A	A	C
2.2 (225)		A	A	A	B	C
3.3 (335)	A	A	A	B	B	D
4.7 (475)	A	A	B	B	C	D
6.8 (685)	A	B	B	C	D	E
10 (106)	B	B	B	C	D	E
15 (156)	B	C	C	D	E	F
22 (226)	C	C	C	D	E	F
33 (336)	C	D	D	E	F	F
47 (476)	D	D	D	E	F	
68 (686)	D	D	E	F	F	
100 (107)	E	E	E	F		
150 (157)	E	E	F			
220 (227)	E	F	F			
330 (337)	F	F				
470 (477)	F	F				
680 (687)	F					

Leads & Solderability

Tinned radial leads, \varnothing :0.5mm.

Standard lead spacing: 2.54 \pm 0.5, 5.08 \pm 0.5mm

Solderability:

- Recommended soldering bath

temperature: 260°C

-Time of immersion:3s

The tin should cover 95% of wire surface.

Permissible pull test: 10N.

Newark.com/multicomp-pro

Farnell.com/multicomp-pro

sg.element14.com/b/multicomp-pro



**MCCB Series Epoxy-Coated Solid
Electrolytic Tantalum Capacitors, Resin Dipped Type**



Ratings and Part Number Reference

Part Number	Case Size	Capacitance F	DCL (µA) Max.	DF % Max.	ESR max. (Q) @ 100kHz
6.3 volt @ 85°C (4 volt, @ 125°C)					
MCCB 0J335##A##	A	3.3	0.5	6	13
MCCB 0J475##A##	A	4.7	0.5	6	10
MCCB 0J685##A##	A	6.8	0.5	6	8
MCCB 0J106##8##	B	10	0.6	8	6
MCCB 0J156##8##	B	15	0.9	8	5
MCCB 0J226##C##	C	22	1.4	8	3.7
MCCB 0J336##C##	C	33	2.1	8	3
MCCB 0J476##D##	D	47	3	8	2
MCCB 0J686##D##	D	68	4.3	8	1.8
MCCB 0J107##E##	E	100	6.3	10	1.6
MCCB 0J157##E##	E	150	9.5	10	0.9
MCCB 0J227##E##	E	220	13.9	10	0.9
MCCB 0J337##F##	F	330	20.8	10	0.7
MCCB 0J477##F##	F	470	29.6	10	0.6
MCCB 0J687##F##	F	680	42.8	12	0.5
10 volt @ 85°C (6.3 volt, @ 125°C)					
MCCB 1A225##A##	A	2.2	0.5	6	13
MCCB 1A335##A##	A	3.3	0.5	6	10
MCCB 1A475##A##	A	4.7	0.5	6	8
MCCB 1A685##B##	B	6.8	0.7	6	6
MCCB 1A106##B##	B	10	1	8	5
MCCB 1A156##C##	C	15	1.5	8	3.7
MCCB 1A226##C##	C	22	2.2	8	2.7
MCCB 1A336##D##	D	33	3.3	8	2.1
MCCB 1A476##D##	D	47	4.7	8	1.7
MCCB 1A686##D##	D	68	6.8	8	1.3
MCCB 1A107##E##	E	100	10	10	1
MCCB 1A157##E##	E	150	15	10	0.8
MCCB 1A227##F##	F	220	22	10	0.8
MCCB 1A337##F##	F	330	33	10	0.6
MCCB 1A477##F##	F	470	47	10	0.5
16 volt @ 85°C (10 volt, @ 125°C)					
MCCB 1C155##A##	A	1.5	0.5	6	10
MCCB 1C225##A##	A	2.2	0.5	6	8
MCCB 1C335##A##	A	3.3	0.5	6	6
MCCB 1C475##8##	B	4.7	0.8	6	5
MCCB 1C685##B##	B	6.8	1.1	6	4
MCCB 1C106##B##	B	10	1.6	8	3.2
MCCB 1C156##C##	C	15	2.4	8	2.5
MCCB 1C226##C##	C	22	3.5	8	2
MCCB 1C336##D##	D	33	5.3	8	1.6
MCCB 1C476##D##	D	47	7.5	8	1.3
MCCB 1C686##E##	E	68	10.9	8	1
MCCB 1C107##E##	E	100	16	10	0.8
MCCB 1C157##F##	F	150	24	10	0.6
MCCB 1C227##F##	F	220	35.2	10	0.5

Newark.com/multicomp-pro
Farnell.com/multicomp-pro
sg.element14.com/b/multicomp-pro



**MCCB Series Epoxy-Coated Solid
Electrolytic Tantalum Capacitors, Resin Dipped Type**

multicomp PRO

Part Number	Case Size	Capacitance F	DCL (µA) Max.	DF % Max.	ESR max. (Q) @ 100kHz
25 volt @ 85°C (16 volt, @125°C)					
MCCB 1E105###A##	A	1	0.5	4	10
MCCB 1E155###A##	A	1.5	0.5	6	8
MCCB 1E225###A##	A	2.2	0.6	6	6
MCCB 1E335###B##	B	3.3	0.8	6	5
MCCB 1E475###B##	B	4.7	1.2	6	4
MCCB 1E685###C##	C	6.8	1.7	6	3.1
MCCB 1E106###C##	C	10	2.5	8	2.5
MCCB 1E156###D##	D	15	3.8	8	2
MCCB 1E226###D##	D	22	5.5	8	1.5
MCCB 1E336###E##	E	33	8.3	8	1.2
MCCB 1E476###E##	E	47	11.8	8	1
MCCB 1E686###F##	F	68	17	8	0.8
MCCB 1E107###F##	F	100	25	10	0.8
35 volt @ 85°C (23 volt, @125°C)					
MCCB 1V104###A##	A	0.1	0.5	4	26
MCCB 1V154###A##	A	0.15	0.5	4	21
MCCB 1V224###A##	A	0.22	0.5	4	17
MCCB 1V334###A##	A	0.33	0.5	4	15
MCCB 1V474###A##	A	0.47	0.5	4	13
MCCB 1V684###A##	A	0.68	0.5	4	10
MCCB 1V105###A##	A	1	0.5	4	8
MCCB 1V155###A##	A	1.5	0.5	6	6
MCCB 1V225###B##	B	2.2	0.8	6	5
MCCB 1V335###B##	B	3.3	1.2	6	4
MCCB 1V475###C##	C	4.7	1.6	6	3
MCCB 1V685###D##	D	6.8	2.4	6	2.5
MCCB 1V106###D##	D	10	3.5	8	2
MCCB 1V156###E##	E	15	5.3	8	1.6
MCCB 1V226###E##	E	22	7.7	8	1.3
MCCB 1V336###F##	F	33	11.6	8	1
MCCB 1V476###F##	F	47	16.5	8	0.8
MCCB 1V686###F##	F	68	23.8	8	0.7
50 volt @ 85°C (33 volt, @ 125°C)					
MCCB 1H104###A##	A	0.1	0.5	4	26
MCCB 1H154###A##	A	0.15	0.5	4	21
MCCB 1H224###A##	A	0.22	0.5	4	17
MCCB 1H334###A##	A	0.33	0.5	4	15
MCCB 1H474###A##	A	0.47	0.5	4	13
MCCB 1H684###A##	A	0.68	0.5	4	10
MCCB 1H105###B##	B	1	0.5	4	8
MCCB 1H155###C##	C	1.5	0.8	6	6
MCCB 1H225###C##	C	2.2	1.1	6	3.5
MCCB 1H335###D##	D	3.3	1.7	6	3
MCCB 1H475###D##	D	4.7	2.4	6	2.5
MCCB 1H685###E##	E	6.8	3.4	6	2
MCCB 1H106###E##	E	10	5	8	1.6
MCCB 1H156###F##	F	15	7.5	8	1.2
MCCB 1H226###F##	F	22	11	8	1
MCCB 1H336###F##	F	33	16.5	8	0.9

Newark.com/multicomp-pro
Farnell.com/multicomp-pro
sg.element14.com/b/multicomp-pro

multicomp PRO

MCCB Series Epoxy-Coated Solid Electrolytic Tantalum Capacitors, Resin Dipped Type



Note: All ## A ## to ambient temperature of + 20°C measured at 120Hz, 0.5V rms unless otherwise stated

- insert capacitance tolerance; K for ±10% and M for ±20%
- insert format 1. for pitch 2.54mm; format 2. for pitch 5.08mm
- insert wire length
- insert Bulk: Code B or Ammo pack: Code T

Packaging of bead tantalum capacitors Explanation Of Part Numbers

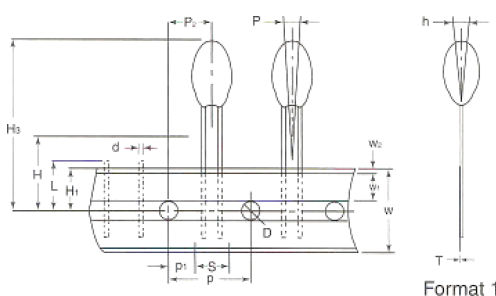
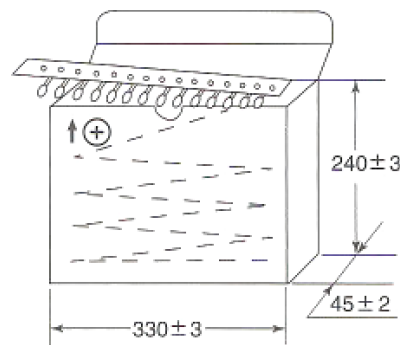
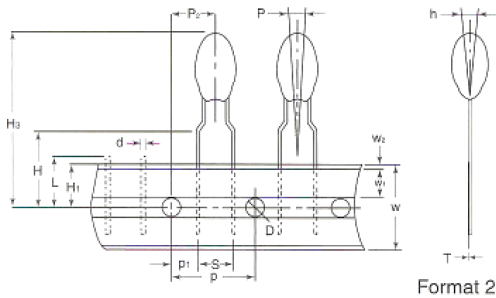
MCCB O J 4 7 5 M I A B B&T
 Series Code Rated Voltage Nominal Capacitance Capacitance Tolerance Format & Lead Space Size Code Wire Length Bulk & Ammo Pack

Quantity per bag: Code B
The capacity of the plastic bags depends on

Case Size Format ①	Qty per bag (cut ≤ 7mm)	Case Size Format ①	Qty per bag (cut ≥ 14mm)	Case Size Format ②	Qty per bag (cut ≥ 7mm)
From A to B	1,000	From A to B	1,000	From A to B	1,000
From C to D	1,000	From C to D	500	From C to D	500
From E to F	500	From E to F	250		

Tape & Ammo Packing (conform to: IEC286-2) Code T.

Tape & Ammo Packing (conform to: IEC286- 2)



Case Code	A	B-C	D-F
QTY. (PCS/box)	2500	2000	1000

Newark.com/multicomp-pro
Farnell.com/multicomp-pro
sg.element14.com/b/multicomp-pro



**MCCB Series Epoxy-Coated Solid
Electrolytic Tantalum Capacitors, Resin Dipped Type**



Item	Code	Dimension (mm)
Carrier tape width	w	18 ⁺¹ _{-0.5}
Hold down tape width	w ₁	6± 0.5
Hold down tape position	w ₂	1max
Feed hole diameter	D	4± 0.2
Feed hole pitch	P	12.7± 0.3
Hole center to lead	P ₁	Format 1: 5.05± 0.7
		Format 2: 3.85± 0.7
Hole center to component center	P	6.35 ± 1
Lead wire clench height	H	16± 0.5
Hole position	H ₁	9± 0.5
Base of component height	H ₂	0.8 min.
Component height	H ₃	32.2 max.
Component alignment	Δp	0± 1.3
	Δh	0± 2
Lead spacing	S	'S' wires: 2.5 ^{+0.6} _{-0.1}
		'B' wires: 5 ^{+0.6} _{-0.5}
Lead diameter	d	0.5± 0.05
length of snipped lead	L	11 max.
Carrier tape thickness	T	0.5± 0.1

Important Notice : This data sheet and its contents (the "Information") belong to the members of the AVNET group of companies (the "Group") or are licensed to it. No licence is granted for the use of it other than for information purposes in connection with the products to which it relates. No licence of any intellectual property rights is granted. The Information is subject to change without notice and replaces all data sheets previously supplied. The Information supplied is believed to be accurate but the Group assumes no responsibility for its accuracy or completeness, any error in or omission from it or for any use made of it. Users of this data sheet should check for themselves the Information and the suitability of the products for their purpose and not make any assumptions based on information included or omitted. Liability for loss or damage resulting from any reliance on the Information or use of it (including liability resulting from negligence or where the Group was aware of the possibility of such loss or damage arising) is excluded. This will not operate to limit or restrict the Group's liability for death or personal injury resulting from its negligence. Multicomp Pro is the registered trademark of Premier Farnell Limited 2019.